

TYP:

LED MODULE
3.03

vidia_{3X}

Powerful LED module with 7-year warranty and a wide beam angle for use in shallow advertising systems.

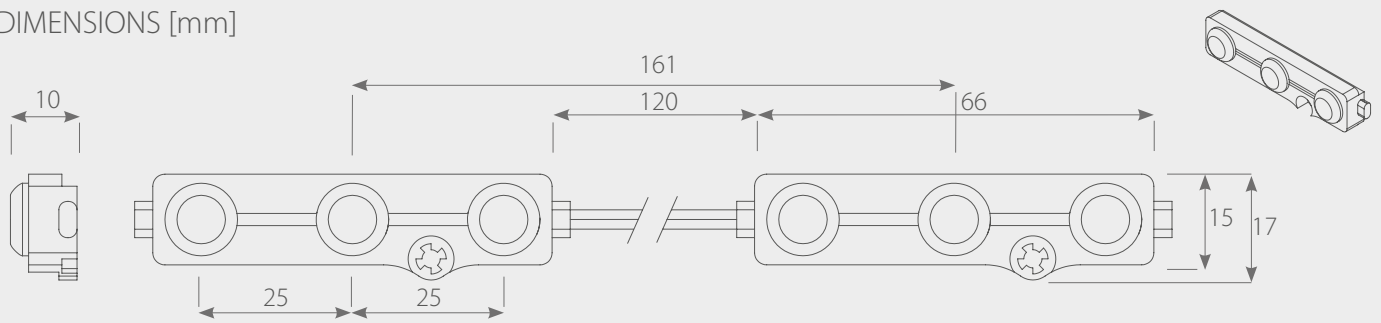


Vidia3X module has a 7-year warranty, a wide beam angle (160 °) and a high light output (up to 89 lm / W). Vidia_{3X} modules have a constant current Ssystem. Thus it is an ideal solution for shallow banners or profile letters. The assembly is kept very simple by double-sided 3M™ industrial adhesive tape and fixing holes. Vidia_{3X} is protected against mechanical damage by an optimized plastic housing. Thanks to the IP68 protection degree it can be used in the wet outdoor areas. It is possible to connect up to 50 modules in series.

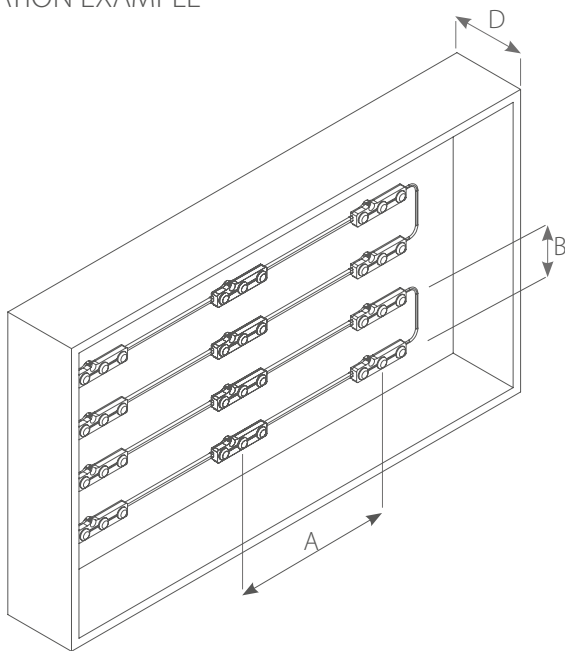
TECHNICAL DATA

| Type | vidia _{3X} W8K | vidia _{3X} W6,5K | vidia _{3X} W4K | vidia _{3X} W2,8K |
|-----------------------------------------|-------------------------|---------------------------|-------------------------|---------------------------|
| Color | white | white | white | white |
| Voltage [V DC] | 12 | 12 | 12 | 12 |
| Current [mA] | 60 | 60 | 60 | 60 |
| Power consumption [W] | 0,72 | 0,72 | 0,72 | 0,72 |
| Luminous flux [lm] | 64 | 64 | 64 | 64 |
| Light output [lm / W] | 89 | 89 | 89 | 89 |
| Beam angle [°] | 160 | 160 | 160 | 160 |
| Degree of protection | IP68 | IP68 | IP68 | IP68 |
| Color temperature [K] | 8000 | 6500 | 4000 | 2800 |
| Operating temperature [° C] | -20 - +50 | -20 - +50 | -20 - +50 | -20 - +50 |
| LEDs | LG Innotek | LG Innotek | LG Innotek | LG Innotek |
| Max. Number of modules in series [pcs.] | 50 | 50 | 50 | 50 |
| Lifetime [h] | 50.000 | 50.000 | 50.000 | 50.000 |
| Warranty [months] | 84 | 84 | 84 | 84 |
| Packing [pcs.] | 50 | 50 | 50 | 50 |

DIMENSIONS [mm]



APPLICATION EXAMPLE



D - Depth

MOUNTING EXAMPLE

| D [mm] | A [mm] | B [mm] | Brightness [cd/m ²] |
|--------|--------|--------|---------------------------------|
| 80 | 140 | 100 | 864 |
| 100 | 150 | 110 | 778 |
| 140 | 160 | 150 | 519 |
| 160 | 160 | 160 | 444 |
| 180 | 160 | 180 | 370 |

* The grid can change depending on the illuminated material

TABLE OF CONTENTS 