

ves₃

Economical LED module with a wide beam angle for use in flat profile letters or transparent billboards.

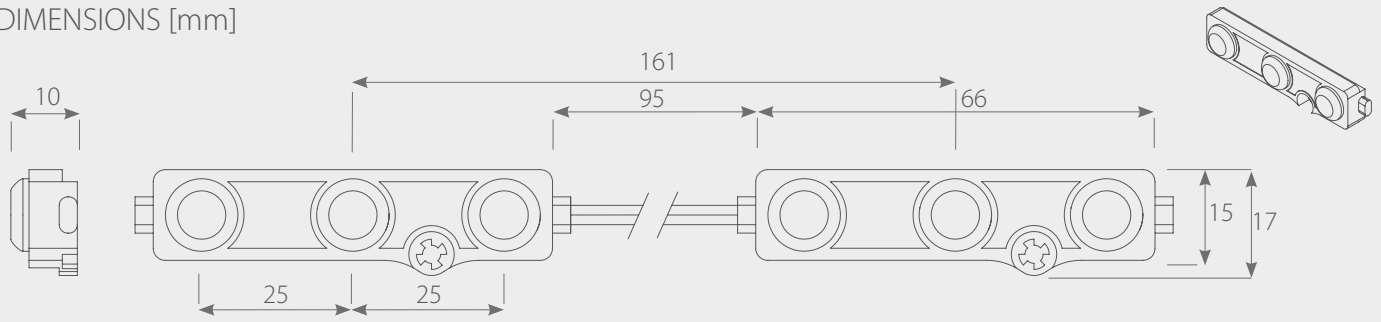


Ves₃ is an economical solution with a wide beam angle (140 °) and good light output. This makes it ideal for flat banners or profile letters. Thanks to high protection degree IP68 this module can be used in the wet outdoor area. The assembly is very simple thanks to the double-sided 3M™ industrial adhesive tape and fixing hole. It is possible to connect up to 50 modules in series.

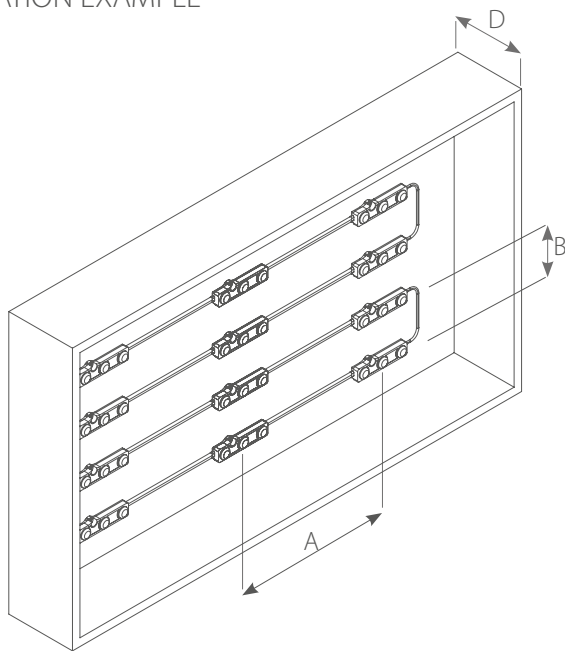
TECHNICAL DATA

Type	ves ₃ W8K	ves ₃ W6,5K	ves ₃ W3K
Color	white	white	white
Voltage [V DC]	12	12	12
Current [mA]	60	60	60
Power consumption [W]	0,72	0,72	0,72
Luminous flux [lm]	60	60	60
Light output [lm / W]	83	83	83
Beam angle [°]	140	140	140
Protection degree	IP68	IP68	IP68
Color temperature [K]	8000*	6500*	3000*
Operating temperature [° C]	-20 - +50	-20 - +50	-20 - +50
LEDs	SMD2835	SMD2835	SMD2835
Max. Number of modules in series [pcs.]	50	50	50
Lifetime [h]	50.000	50.000	50.000
Warranty [months]	36	36	36
Packing [pcs.]	50	50	50

DIMENSIONS [mm]



APPLICATION EXAMPLE



D - Depth

MOUNTING EXAMPLE

D [mm]	A [mm]	B [mm]	Brightness [cd/m ²]
80	140	90	1005
100	150	100	783
140	160	140	548
160	160	150	469
180	160	180	391

* The grid can change depending on the illuminated material

TABLE OF CONTENTS 