

# unix<sub>3</sub> RGB

RGB LED module for installation depth ranged from 100 mm up to 200 mm. The color of the module can be changed as desired using a controller.

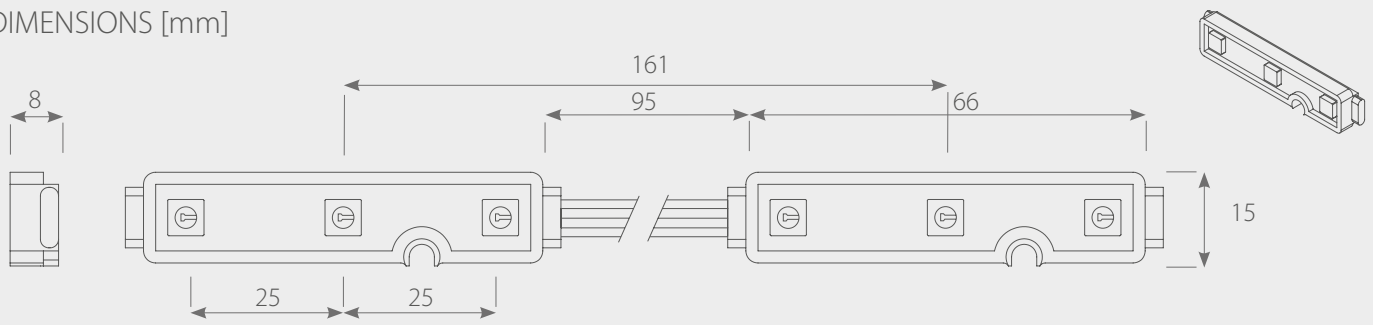


Unix<sub>3</sub> RGB module is suitable for lighting projects with changing colors. For proper operation, a separate RGB controller is required. In the case of a larger number of modules, an RGB amplifier must be added. Thanks to the IP68 protection degree is also possible to use it in the wet outdoor area.

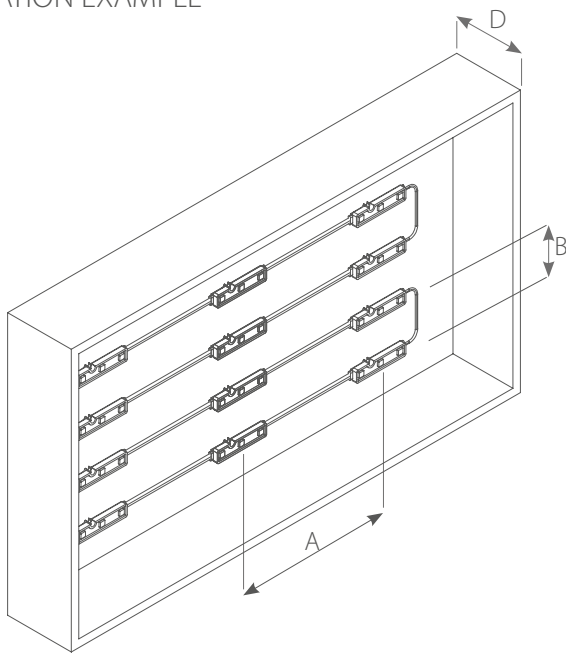
## TECHNICAL DATA

Type	unix <sub>3</sub> RGB
Color	multicolor RGB
Voltage [V DC]	12
Current [mA]	60mA
Power consumption [W]	0,72
Luminous flux [lm]	-
Light output [lm / W]	-
Beam angle [°]	120
Degree of protection	IP68
Color temperature [K]	-
Wavelength [µm]	R: 620 / G: 520 / B: 460
Operating temperature [° C]	-20 - +50
LEDs	SMD5060
Max. Number of modules in series [pcs.]	50
Lifetime [h]	40.000
Warranty [months]	36

DIMENSIONS [mm]



APPLICATION EXAMPLE



D - Depth

MOUNTING EXAMPLE

D [mm]	A [mm]	B [mm]
100	140	90
120	150	100
140	150	120
160	160	150
180	160	160

\* The grid can change depending on the illuminated material

TABLE OF CONTENTS 