

TYP:

LED MODULE  
2.05unix<sub>3</sub>

Highly reliable LED module for medium depth to deep advertising systems.



Unix3 is characterized by its high light output (89 lm / W) and reliability. The IP68 protection degree allows to use the module in wet outdoor areas. Unix3 is also protected against mechanical damage by the optimized plastic housing. Installation with a double-sided 3M™ adhesive tape and mounting holes is very easy. Up to 50 modules can be connected in series.

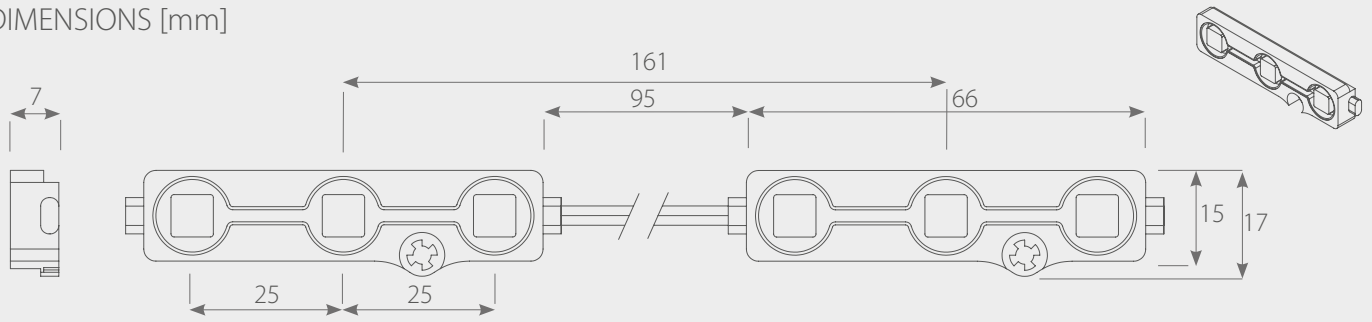
## TECHNICAL DATA

Type	unix <sub>3</sub> W8K	unix <sub>3</sub> W4K	unix <sub>3</sub> R	unix <sub>3</sub> G	unix <sub>3</sub> B
Color	white	white	Red	Green	Blue
Voltage [V DC]	12	12	12	12	12
Current [mA]	60	60	60	60	60
Power consumption [W]	0,72	0,72	0,72	0,72	0,72
Luminous flux [lm]	64	64	18	30,5	6,8
Light output [lm / W]	89	89	25	42	9,5
Beam angle [°]	120	120	120	120	120
Degree of protection	IP68	IP68	IP68	IP68	IP68
Color temperature [K]	8000*	4000*	-	-	-
Wavelength [µm]	-	-	625	525	460
Operating temperature [° C]	-20 - +60	-20 - +60	-20 - +60	-20 - +60	-20 - +60
LEDs	LG Innotek	LG Innotek	SMD2835	SMD2835	SMD2835
Max. Number of modules in series [pcs.]	50	50	50	50	50
Lifetime [h]	50.000	50.000	50.000	50.000	50.000
Warranty [months]	60	60	60	60	60
Packing [pcs.]	50	50	50	50	50

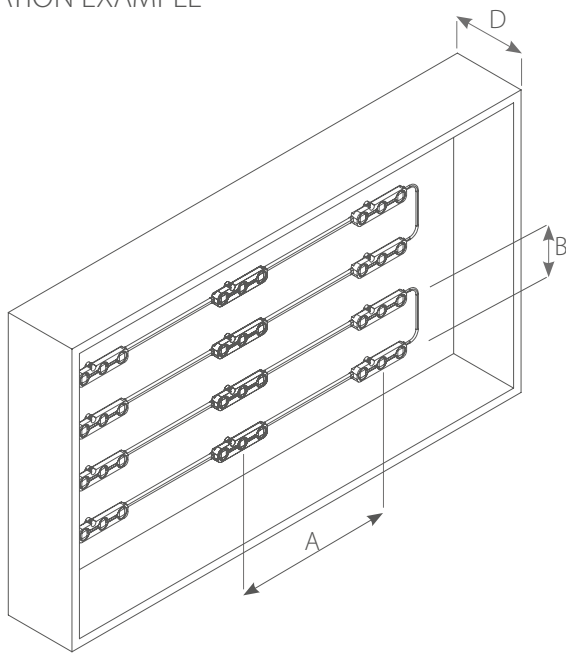
\* other color temperatures are available upon request: unix<sub>3</sub> W6,5K (6500K), unix<sub>3</sub> W2,8K (2800K)

[www.ledlink.de](http://www.ledlink.de)

DIMENSIONS [mm]



APPLICATION EXAMPLE



D - Depth

MOUNTING EXAMPLE

D [mm]	A [mm]	B [mm]	Brightness [cd/m <sup>2</sup> ]
100	140	90	1411
120	150	100	1283
140	150	120	1026
160	160	150	769
180	160	160	659

\* The grid can change depending on the illuminated material

TABLE OF CONTENTS 