

dEUS₃

Extremely powerful LED module with a wide beam angle. Ideal for large area advertising. Optimum installation depth is 100 mm to 250 mm.



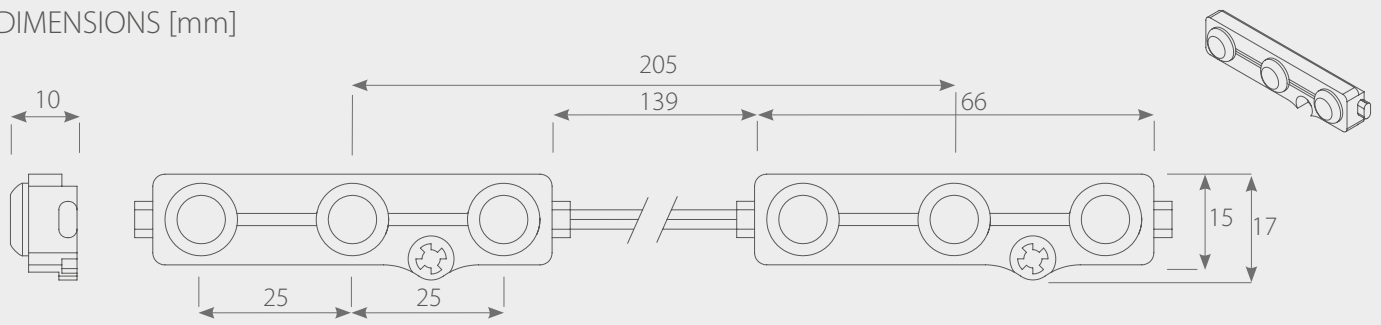
With the enormous value of 120 lm per module (100 lm / W), dEUS₃ stands out thanks to its very high light output and wide beam angle (160 °). Because of that very homogeneous light can be achieved. The installation is very easy with use of the double-sided 3M™ adhesive tape and fixing hole. The dEUS₃ is protected against mechanical damage by a robust plastic housing. Thanks to the IP68 protection it is suitable to use in the wet outdoor area. It is possible to connect up to 30 modules in series.

TECHNICAL DATA

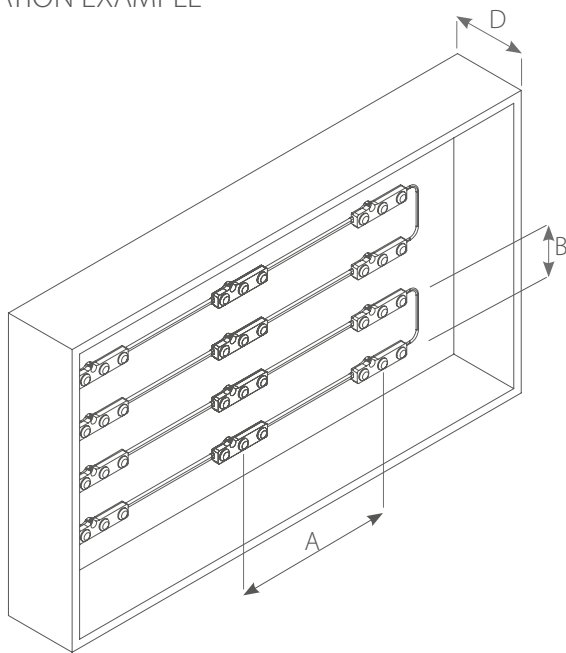
Type	dEUS ₃ W6,5K	dEUS ₃ W4K	dEUS ₃ 3K
Color	white	white	white
Voltage [V DC]	12	12	12
Current [mA]	100	100	100
Power consumption [W]	1,2	1,2	1,2
Luminous flux [lm]	120	120	120
Light output [lm / W]	100	100	100
Beam angle [°]	160	160	160
Degree of protection	IP68	IP68	IP68
Color temperature [K]	6500*	4000*	3000*
Operating temperature [° C]	-20 - +50	-20 - +50	-20 - +50
LEDs	Samsung	Samsung	Samsung
Max. Number of modules in series [pcs.]	30	30	30
Lifetime [h]	40.000	40.000	40.000
Warranty [months]	60	60	60
Packing [pcs.]	50	50	50

* other color temperatures are available upon request: dEUS₃ 12K (12000K), dEUS₃ 9,5K (9500K)

DIMENSIONS [mm]



APPLICATION EXAMPLE



D - Depth

MOUNTING EXAMPLE

D [mm]	A [mm]	B [mm]	Brightness [cd/m ²]
100	160	110	1251
120	170	130	1112
140	180	150	834
160	190	180	695
200	200	200	579

* The grid can change depending on the illuminated material

TABLE OF CONTENTS 