

TYPE:

LED STRIPES
4.17

LinkS RGB_{150P}

RGB LED stripe with 150 diodes per 5m roll and IP65 protection. Can be divided into 100mm sections.

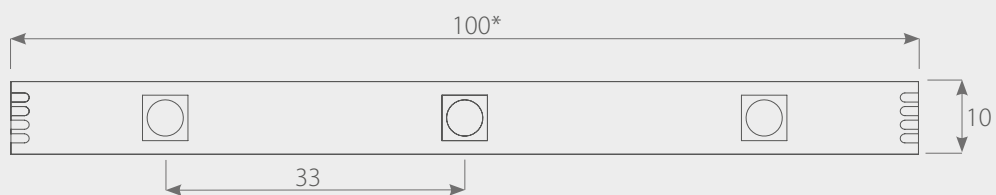


LinkS RGB_{150P} is an RGB stripe with 150 diodes per 5m roll. Thanks to the IP65 protection degree it is possible to mount it outdoors. It is excellent for very light lighting of light boxes, POS systems, furniture and elements of interior design. A separate RGB controller is required for proper operation. For larger projects an RGB amplifier must be added. Double-sided 3M™ industrial adhesive tape on the back is used for assembly. LinkS RGB_{150P} stripes are powered by a 12VDC power supply and have a 2 year warranty.

TECHNICAL DATA

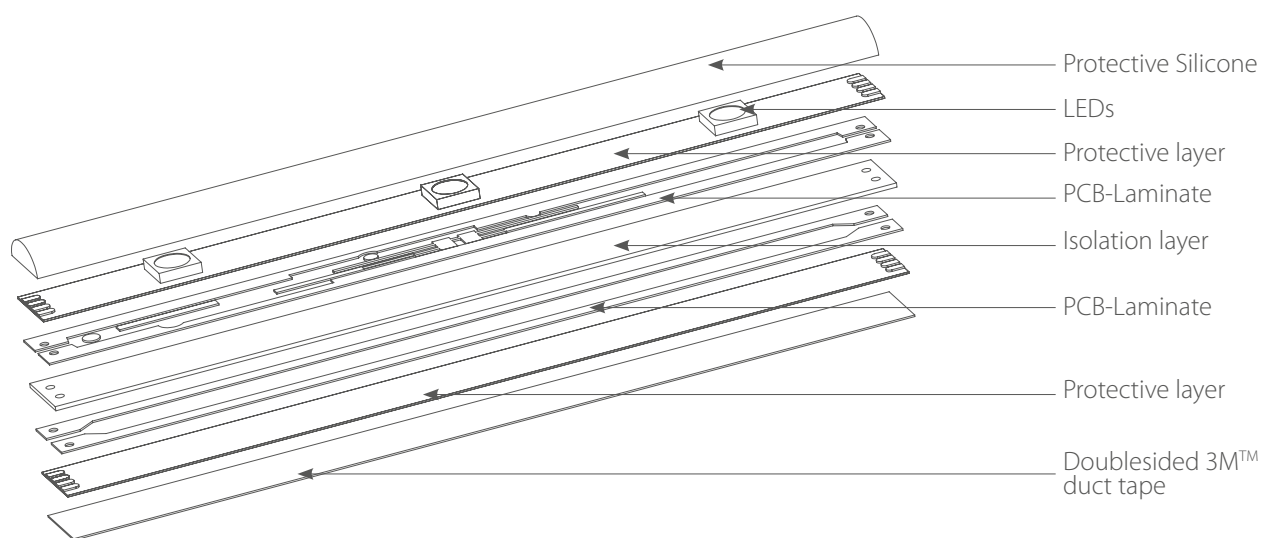
Type	LinkS RGB _{150P}
Color	multicolor RGB
Voltage [VDC]	12
Current [mA / 1m]	500 ~ 600
Power consumption [W]	7,2 (±5%)
Luminous flux [lm]	-
Light output [lm / W]	-
Beam angle [°]	120
Degree of protection	IP65
Color temperature [K]	-
Wavelength [µm]	R: 620 / G: 520 / B: 460
Operating temperature [°C]	-10 - +40
LEDs	SMD5060
LED quantity per 1m [pcs.]	30
Partial (cm)	10
Lifetime [h]	30.000
Warranty [months]	24
Packing [m]	5

DIMENSIONS [mm]



* Dimension of the section

CONSTRUCTION



There may be max. 5 m of stripe connected in series.

TABLE OF CONTENTS 