

TYPE:

LED STRIPES
4.15

LinkS RGB₁₅₀

RGB LED stripe with 150 diodes per 5m-roll. Can be divided into 100mm sections.

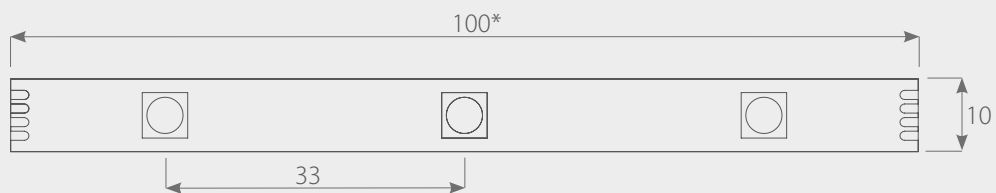


LinkS RGB₁₅₀ is a RGB stripe with 150 diodes per 5m roll. It is excellent for very light lighting of light boxes, POS systems, furniture and elements of interior design. A separate RGB controller is required for proper operation. For larger projects an RGB amplifier must be added. Double-sided 3M™ industrial adhesive tape on the back is used for assembly. The LinkS RGB₁₅₀ stripes are powered by 12 VDC and have a 2 year warranty.

TECHNICAL DATA

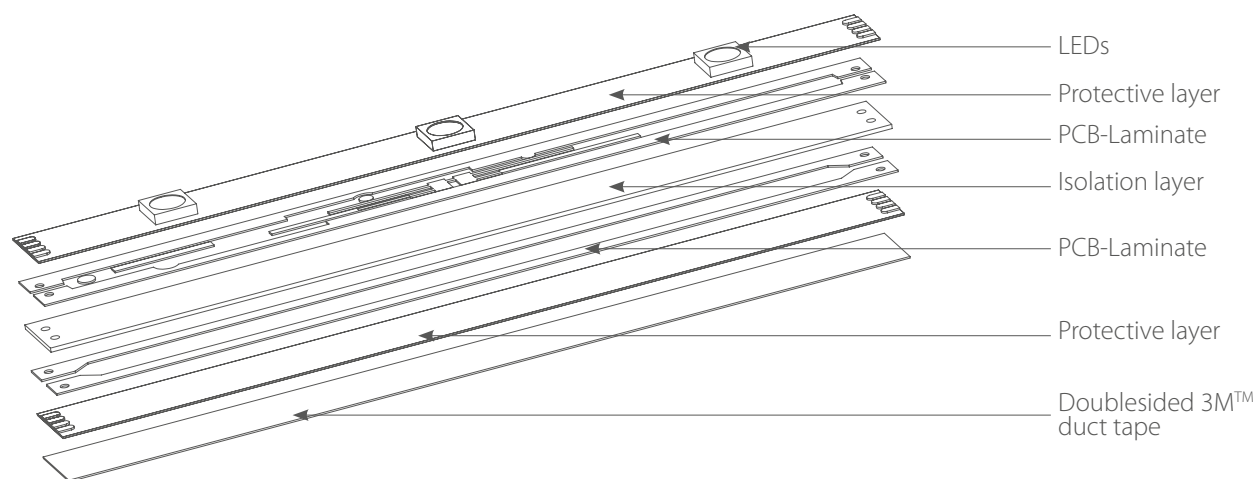
Type	LinkS RGB ₁₅₀
Color	multicolor RGB
Voltage [VDC]	12
Current [mA / 1m]	500 ~ 600
Power consumption [W]	7,2 (±5%)
Luminous flux [lm]	-
Light output [lm / W]	-
Beam angle [°]	120
Degree of protection	-
Color temperature [K]	-
Wavelength [µm]	R: 620 / G: 520 / B: 460
Operating temperature [°C]	-10 - +40
LEDs	SMD5060
LED quantity per 1m [pcs.]	30
Partial (cm)	10
Lifetime [h]	30.000
Warranty [months]	24
Packing [m]	5

DIMENSIONS [mm]



* Dimension of the section

CONSTRUCTION



There may be max. 5 m of stripe connected in series.

TABLE OF CONTENTS 